



SGTL5000 Evaluation Platform

User's Guide

v2.0.0

1. SCOPE	3
2. GETTING STARTED	4
2.1. Software Installation	4
2.2. USB Driver Installation	4
3. BOARD SETUP PROCEDURE	9
3.1. Jumper Options	9
3.2. Board Connections	9
3.3. Example Setup	10
4. HARDWARE	11
4.1. Evaluation Board Features	11
4.2. Evaluation Board Layout	11
4.3. Power linear regulators	12
5. SOFTWARE	13
5.1. Initialization	13
5.2. Routing	14
5.3. I2S	15
5.4. Inputs	16
5.5. Outputs	17
5.6. Digital Audio Processing (DAP)	18
5.6.1. DAP Mixer	18
5.6.2. SGTL5000 Surround	18
5.6.3. SGTL5000 Bass Enhance	18
5.6.4. PEQ/GEQ/Tone Control	18
5.6.5. AVC	19
5.7. Direct Register Access	19

1. SCOPE

The evaluation platform is designed to allow the user to test the features and performance of the SGTL5000 audio codec. The evaluation board can be used as a demo or development platform.

SGTL5000 is an audio codec that utilizes two analog inputs (LINEIN and MIC IN), two analog outputs (LINEOUT and HPOUT), one digital input (I2S IN) and one digital output (I2S OUT). Communication to the chip is performed through either I2C or SPI. SGTL5000 comes in 2 packages: 3x3mm 20-pin QFN, and 5x5mm 32-pin QFN. The information in this document applies to both packages.

2. GETTING STARTED

2.1. Software Installation

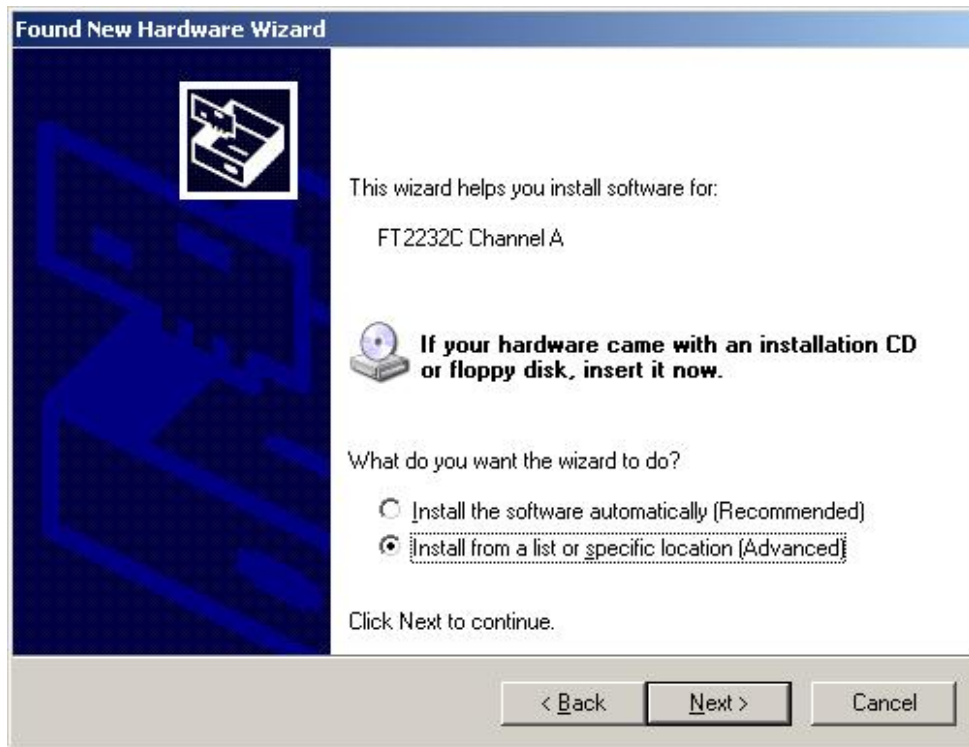
- Copy the following from the CD to any location on your hard drive:
 - StereoCodecControlSoftware.exe
 - FTC Drivers folder
- Copy SGTL5000_CA1_Init_Script.txt from the CD to C:\ drive (directly to C:).

2.2. USB Driver Installation

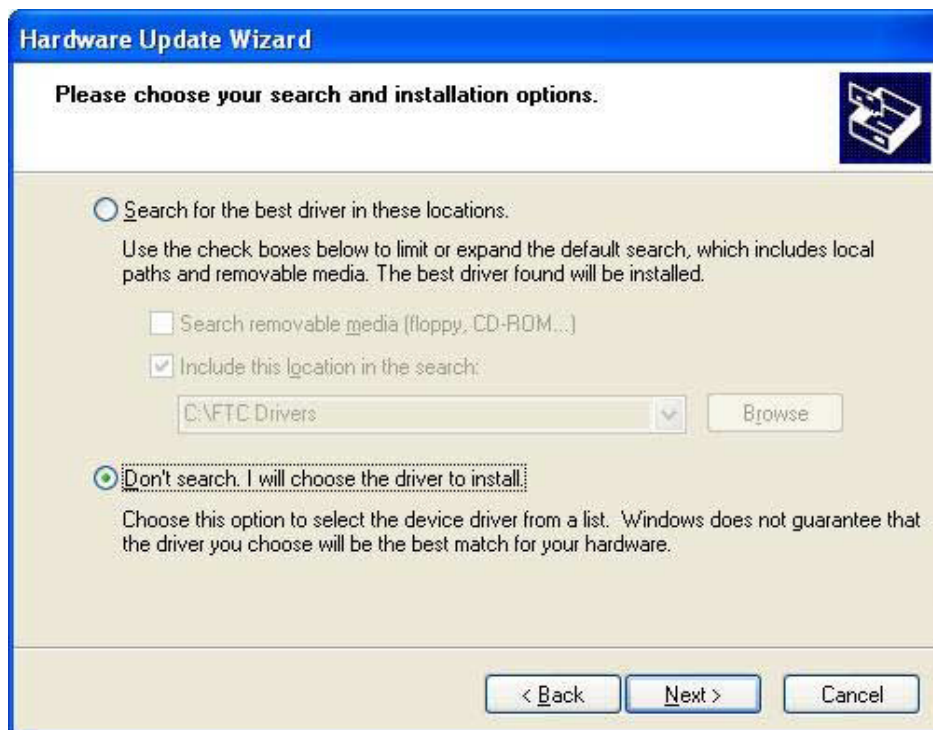
- Make sure that the evaluation board jumpers are configured correctly (refer to section 3.1). The jumpers are pre-configured before shipping so that the board is ready to be used.
- Connect the USB cable from the PC to the board.
- Connect the 5V power supply to the board and turn on the board.
- Windows will detect the new device and automatically launch the “**Add Hardware Wizard**”



- Select option “**Install from a list or Specific Location (Advanced)**” and click Next.



- Select option “**Search for the best driver in these locations**” and select “**Don’t Search. I will choose the driver to install**”. Click on Next.



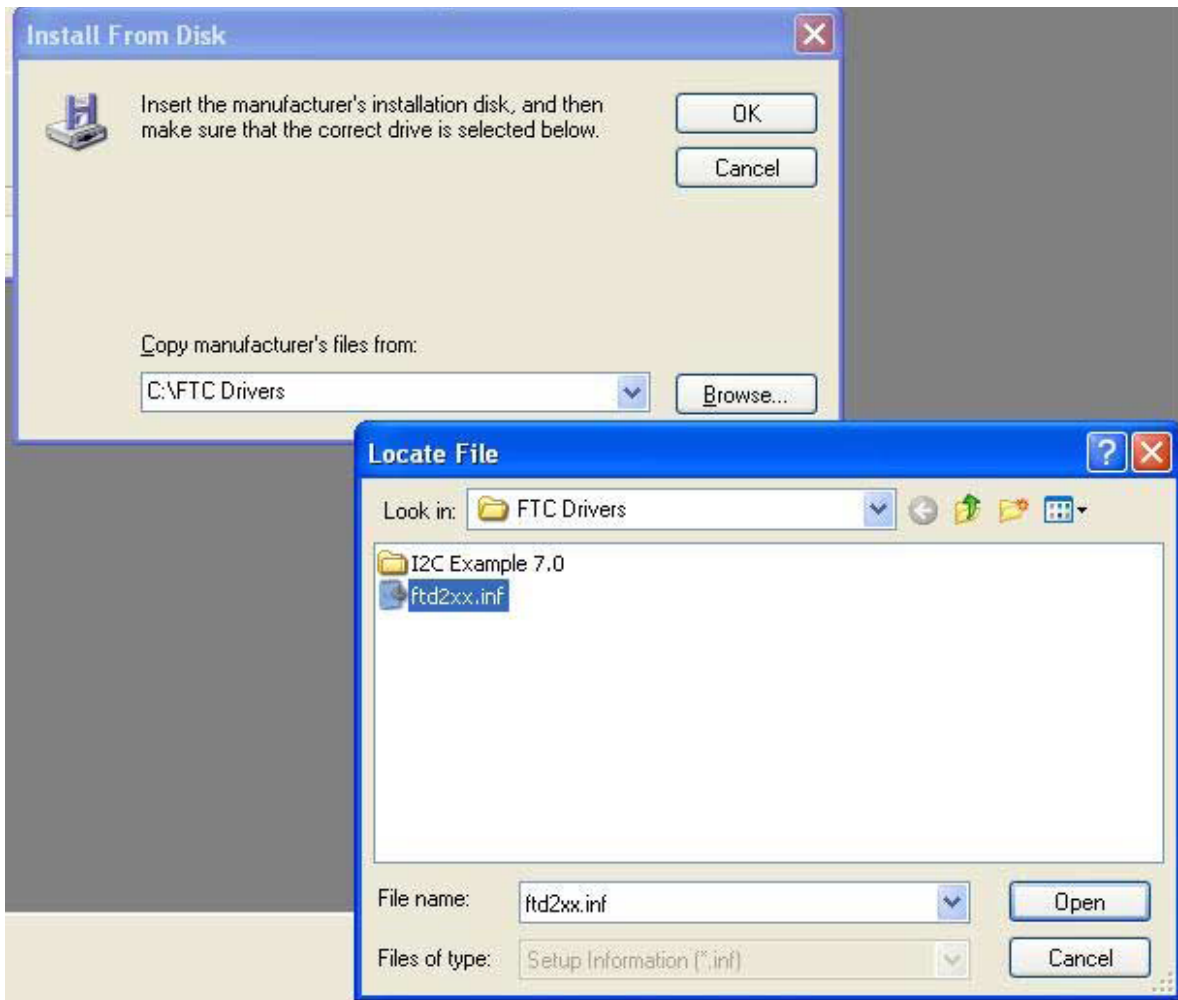
- Select “**Universal Serial Bus Controllers**” from the list.



- Select on “**Have Disk**”.



- Browse to “**FTC Drivers**” folder unzipped from the **SGTV58XXControl.zip** and select “**ftd2xxx.inf**” file. Click “**Open**”. Click “**Next**” in the next window.



- Windows will now detect the device **FT2232C Channel A**. Windows logo testing window will pop-up. Click **Continue Anyway**.



- **FT2232C Channel B** will be detected next. Windows logo testing window will pop-up. Click **Continue Anyway**.
- Now your eval board is ready to be used.

3. BOARD SETUP PROCEDURE

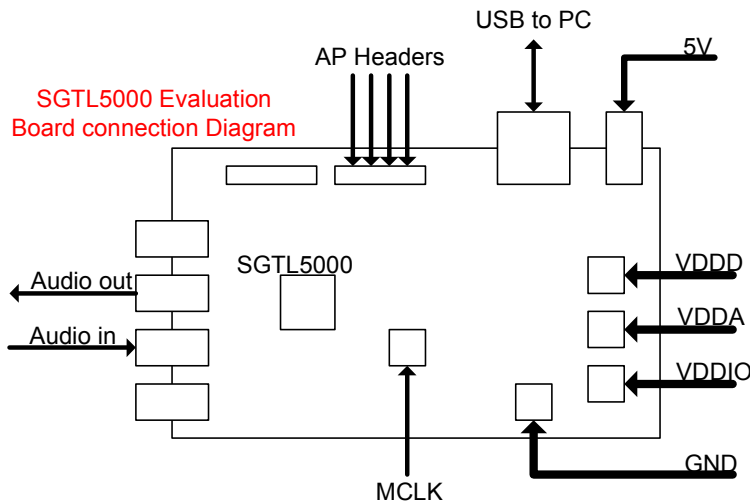
3.1. Jumper Options

SGTL5000 Evaluation Board provides users with various stuffing options in order to use different features of the board.

- **External power (JP3, JP4, JP5):** Jumper pins 1, 2 to use external voltage source using banana plugs for each rail. Jumper pins 2, 3 to use internal regulators
- **MCLK Source (JP2):** Jumper pins 1, 4 to use onboard oscillator. Jumper pins 2, 5 to use external MCLK via SMB connector (J10). Jumper pins 3, 6 to use MCLK provided by an Audio Precision PSIA via I2S Headre (J2)
- **MIC select (JP1):** Jumper pins 1, 2 for onboard microphone (X1). Jumper pins 2, 3 to use microphone jack (J6)

3.2. Board Connections

The following connection may be used as a guide.



3.3. Example Setup

- Connect power and input/outputs according to the aforementioned connections jumper settings and connection diagram
- Open Audio Precision software
 - Set up digital i/o for PSIA, and configure for I2S frame clock and bit clock output, and MCLK out
- Open SGTL5000 control software
 - Select I2C connection type, hit Connect
 - Select 256*Fs, 48kHz, Slave mode. Hit initialize
 - Configure an I2S input to DAC and I2S outputs
 - Select Program Route
 - Unmute DAC output
- Perform any necessary testing

4. HARDWARE

4.1. Evaluation Board Features

- SGTL5000 Audio Codec
- LINEIN RCA analog input jack
- LINEOUT RCA analog output jack
- Selectable mini-jack or onboard microphone input
- Stereo headphone mini-jack analog output, with optional capless design circuitry
- Two-row headers for buffered I2S digital input/output
- Support for onboard or external MCLK source
- USB to I2C/SPI communication port
- 5V input voltage through either internal LDO regulators, or external individual supplies

4.2. Evaluation Board Layout

The following shows the physical layout and placement of components of the SGTL5000 evaluation board. (Please note that the picture shown below is for SGTL5000 32QFN evaluation board. SGTL5000 20QFN evaluation board is blue in color. The information in this document applies to both SGTL5000 packages)

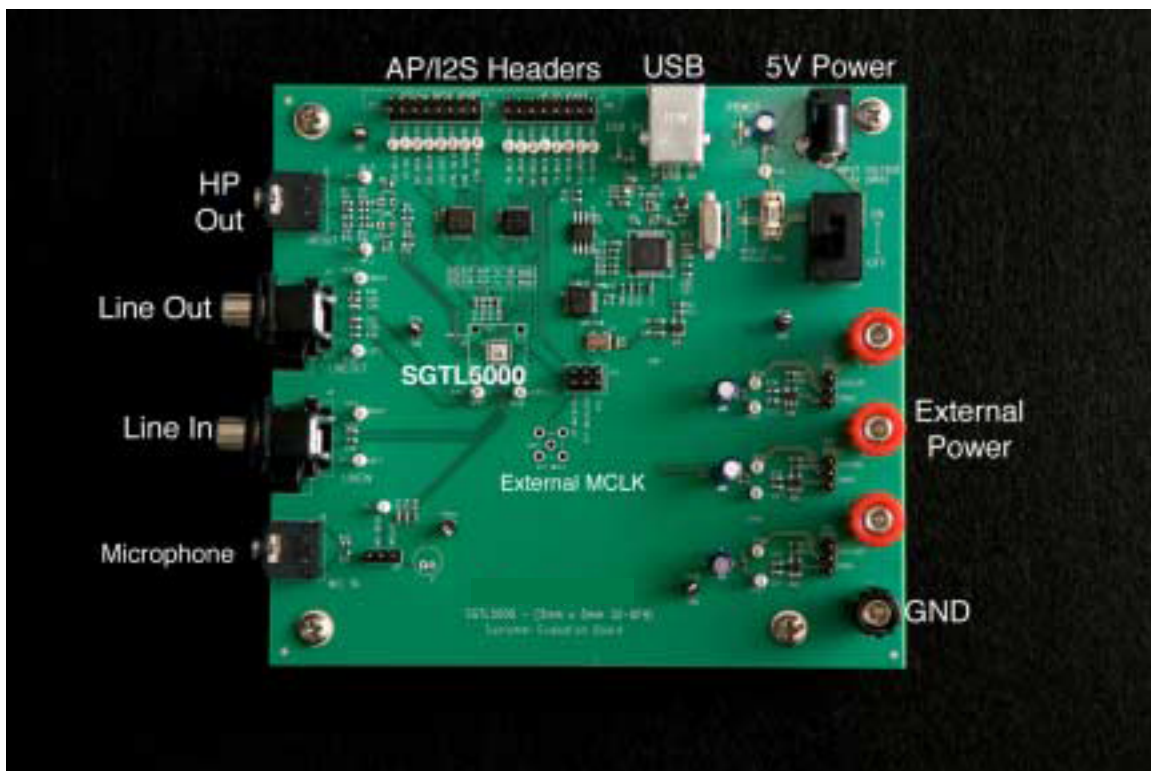


Figure 1. SGTL5000 Evaluation Board with Components Identified

- Inputs include one RCA connector for LINEIN, and one mono microphone input 3.5mm mini-jack for external MIC. The board also has an anan be either 3.5mm mini-jack or on-board microphone.
- Outputs include one RCA connector for LINEOUT, and one stereo 3.5mm mini-jack for HP OUT.
- AP I2S headers are a 2x8 pin array for Audio Precision PSIA connectors. These headers are provided to connect Audio Precision's frame clk, bit clk, master clk and data to the chip.
- USB jack to connect the board to the PC via a USB cable. The software sends commands to the board via USB and the FTDI chip on the board converts it to I2C/SPI to talk to the chip. The FTDI chip is powered by the USB and a green LED indicates that.
- 5V power is a 2.1mm positive-center connector for the 5V wall-wart supply provided with the kit. When the power switch is turned on, a blue LED indicates that the board is powered on.
- Individual external power can be supplied to the board via either bare wires, or banana-type connectors
- MCLK is supplied via I2S header, onboard oscillator, or SMB connector.

4.3. Power linear regulators

If only a 5V board power supply is connected, the supplies for VDDD, VDDA, and VDDIO must be switched to use the onboard regulators. These regulators are Analog Devices ADP1712AUJZ.

By default, the regulator outputs are as follows:

Power Rail	Output Voltage (V)
VDDD	1.8
VDDA	1.8
VDDIO	3.3

Table 1. Linear regulator output voltages

The output for each regulator is determined by the formula

$$V^{OUT} = 0.8 V (1 + R1/R2)$$

where:

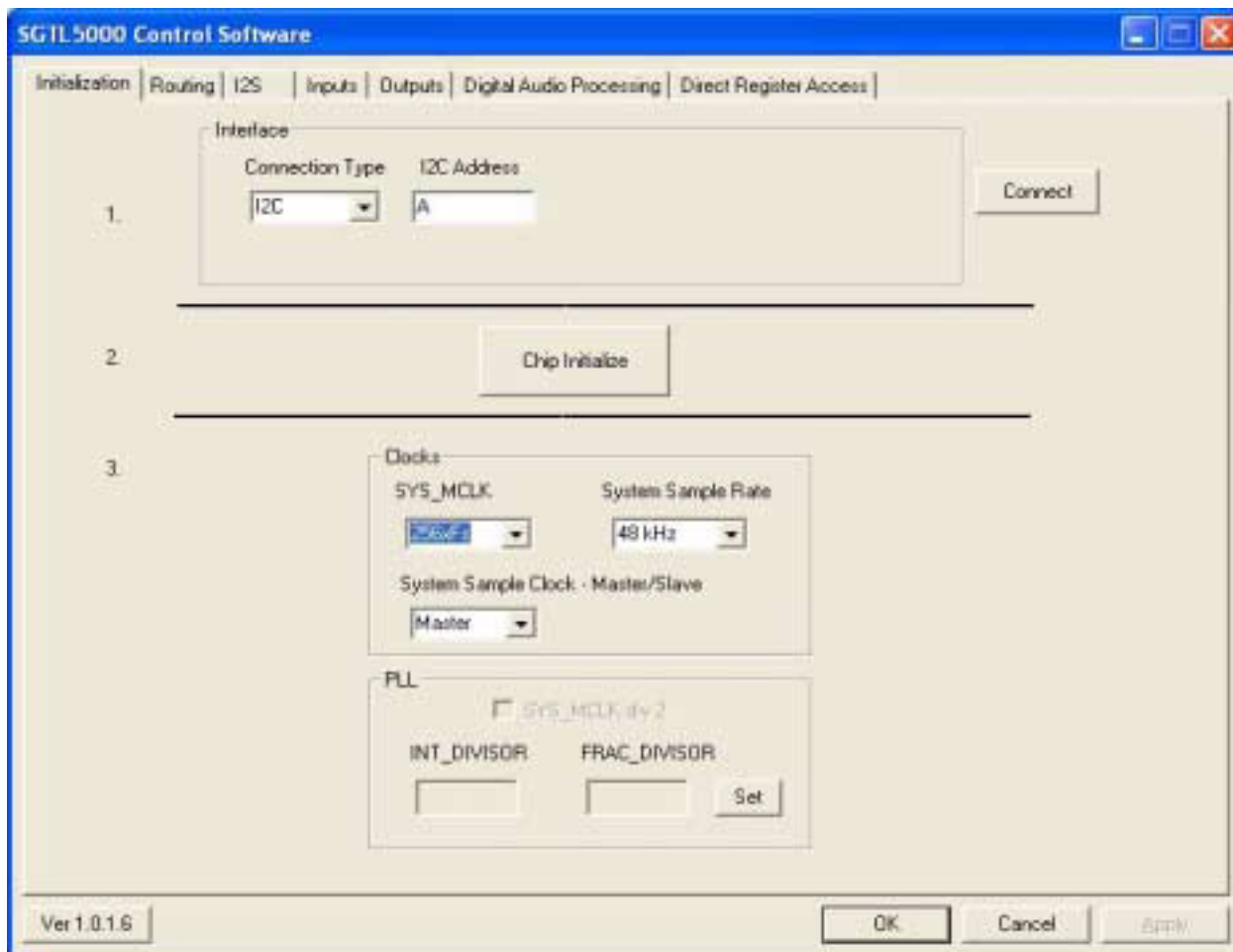
R1 is the resistor from OUT to ADJ.

R2 is the resistor from ADJ to GND.

5. SOFTWARE

The SGTL5000 Control Software allows a user access to all of the features within SGTL5000.

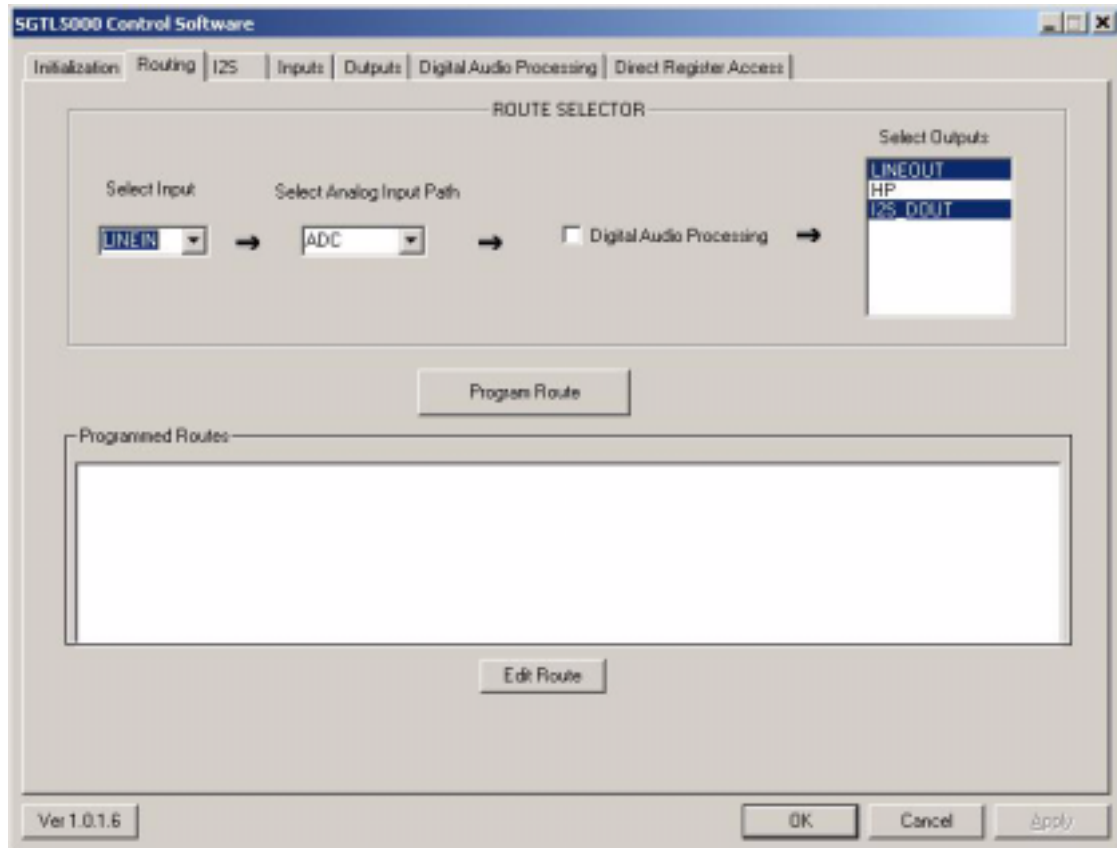
5.1. Initialization



- From the Initialization tab, the user selects the communication protocol to interface with the SGTL5000 chip - I2C or Ethernet. Click 'Connect' to connect to the board.
- Click on 'Chip Initialize'. This will power up the analog and digital blocks, setup the default clocks (as shown in the clocks section of the Initialization page), and unmute the ADC and outputs.
- Clock configuration can be done on this page as well. The 'Chip Initialize' already sets it up in the default state. So additional configuration is required unless the parameters need to be changed. From the SYS_MCLK menu, PLL can be chosen if needed. If used, the PLL must be powered up by direct write under Direct Register Access page and the INT_DIVISOR/FRAC_DIVISOR divisors need to be programmed correctly. Please refer to the datasheet on how to

configure the PLL. Please note that the divisors must be calculated based on the external MCLK rate.

5.2. Routing

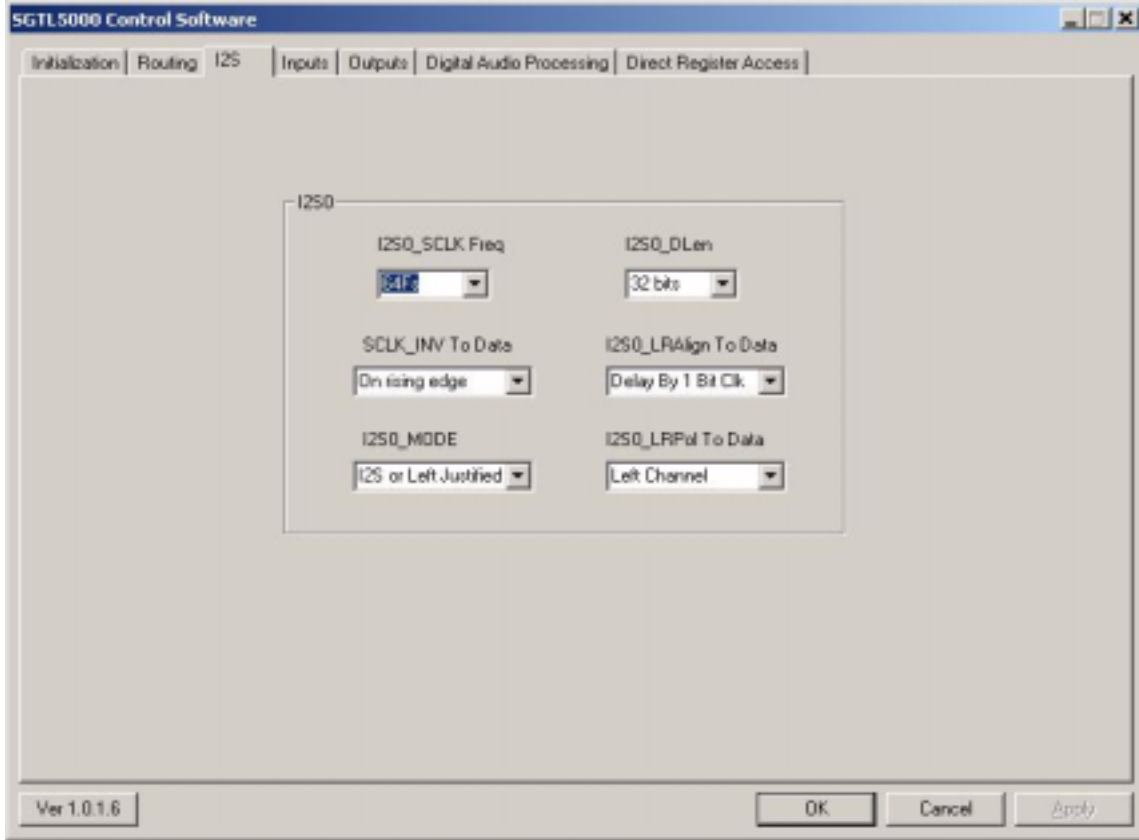


From the Routing page, various signal paths are set from input to output.

- Inputs include: LINEIN, MIC, I2S_DIN
- LINEIN or MICIN may be configured through the ADC or directly pass-through to HP_OUT.
- Outputs include: LINEOUT, Headphone (HP), I2S_DOUT
- Routes may or may not include the use of the Digital Audio Processor (DAP). Please note that when DAP is routed, it must also be enabled under the Digital Audio Processor page. Otherwise, no audio will pass through DAP.

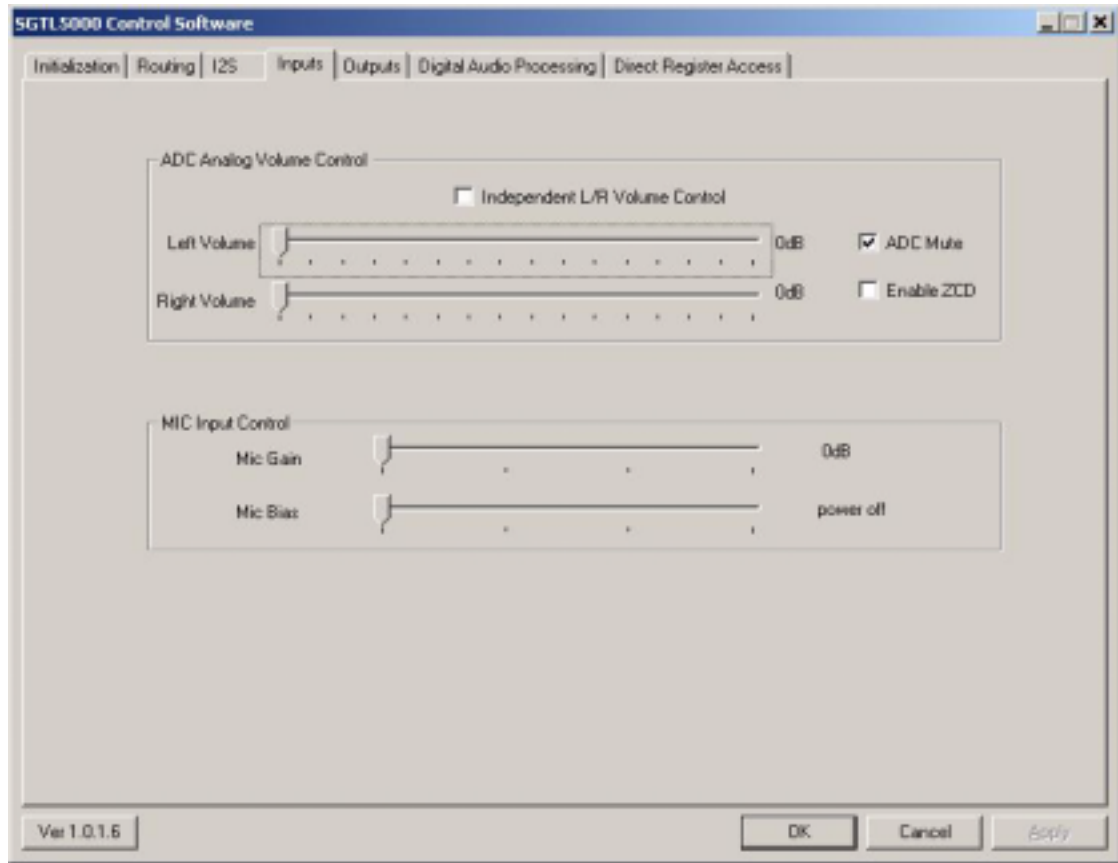
Routes may also be edited once programmed. To do so, select the route that is to be edited, press the "Edit Route" button, make the route changes, and select "Program Route."

5.3. I2S



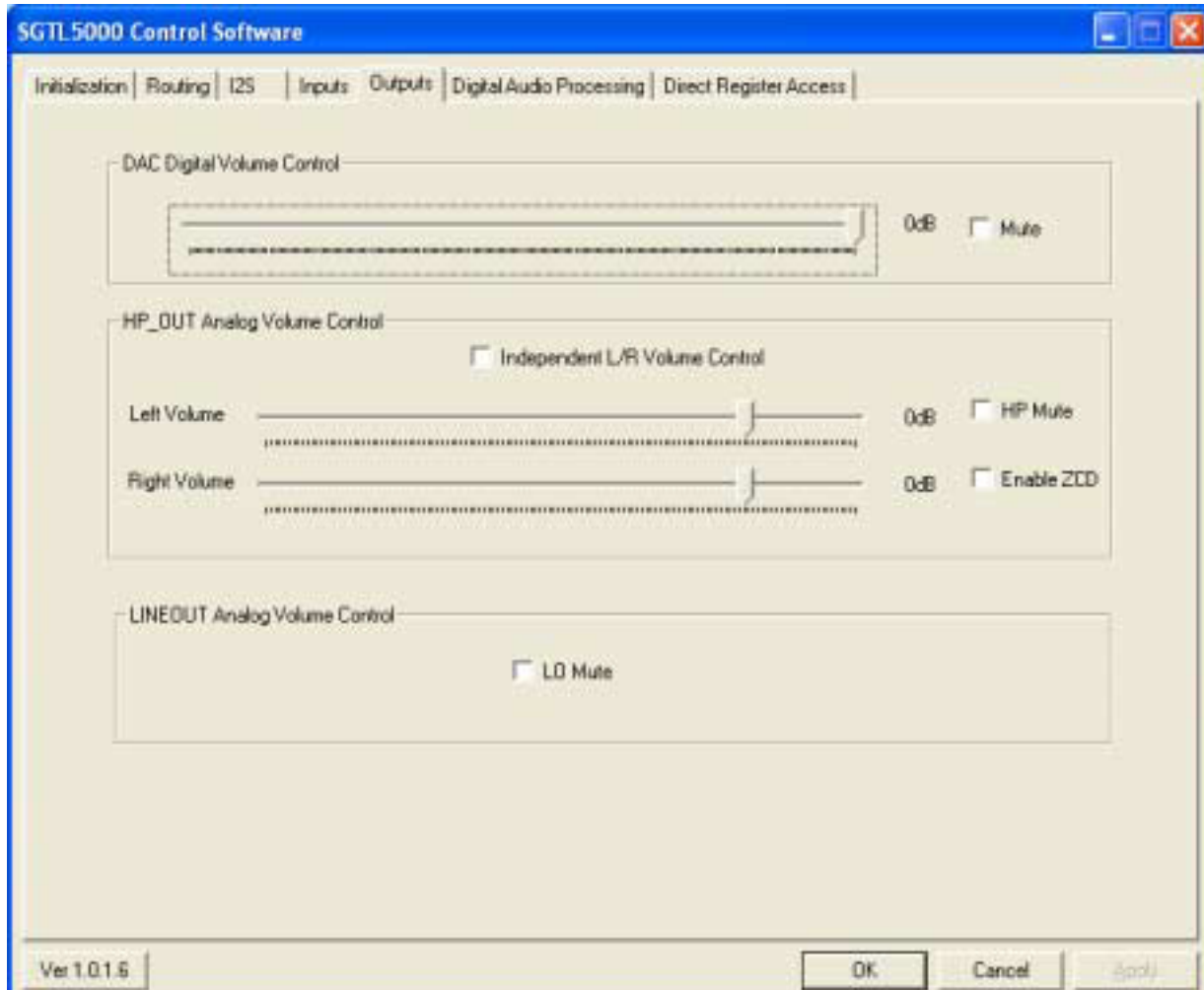
From the I2S tab, specifics to the digital I2S communication are programmed. The SCLK frequency, word length, and data alignment are options that are programmable.

5.4. Inputs



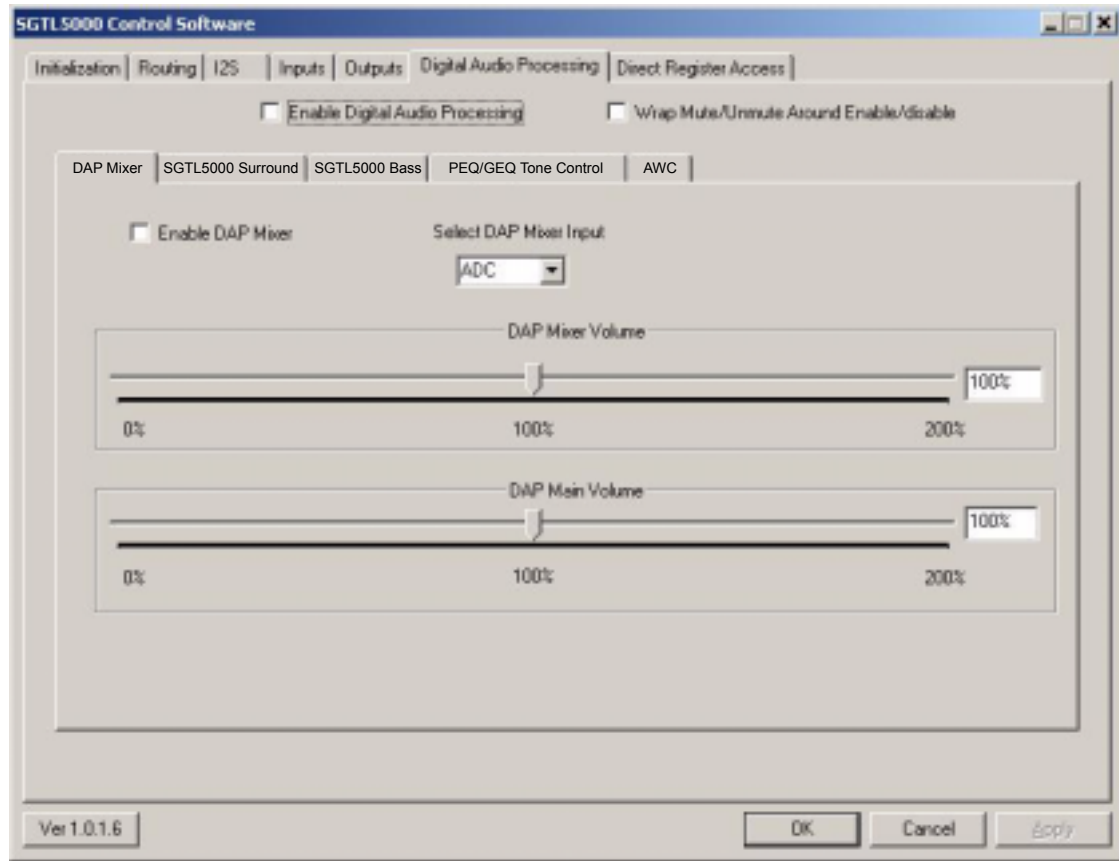
- The input screen has the volume and gain controls for the two analog inputs - Line In and Microphone.
- The software configures the left and right volume together to the same value. When 'Independent L/R Volume Control' is checked, left and right volumes can be controlled independently. The left and right channels also have independent mutes.
- The microphone has two sliders for Gain and Bias, the latter is dependent on on-board settings of the Mic Bias circuitry.

5.5. Outputs



- The output tab has controls for DAC digital volume, HP OUT analog volume/mute and LINEOUT mute/unmute.

5.6. Digital Audio Processing (DAP)



5.6.1. DAP Mixer

The DAP Mixer allows a second audio signal to be mixed in with the main audio stream. Both can be mixed as a percentage of total signal. The Mixer can be configured to route from the ADC or I2S_DIN.

5.6.2. SGTL5000 Surround

SGTL5000 Surround widens the soundscape, and has width settings from 1-7, for varying amounts of processing.

5.6.3. SGTL5000Bass Enhance

SGTL5000 Bass Enhance boosts bass levels. Programmable settings include the low pass filter cutoff frequency, high pass filter cutoff frequency, Bass Level, Left/Right level, and a multiplier that can dramatically increase the effect.

5.6.4. PEQ/GEQ/Tone Control

SGTL5000 includes a 7-band parametric equalizer (PEQ) that can be programmed through the software's presets. Custom PEQ curves can be created, as well.

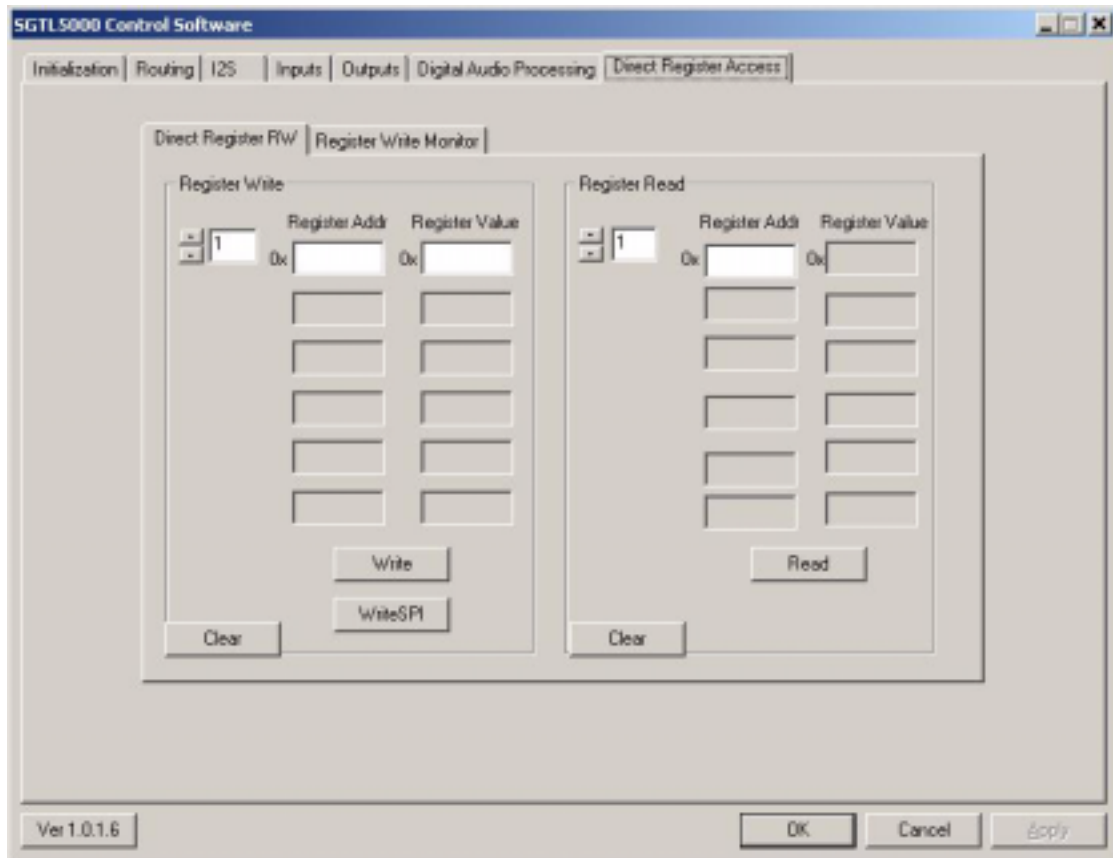
The 5-band graphic equalizer (GEQ) is fully programmable, with bands of 115Hz, 330Hz, 990Hz, 3000Hz, and 9900Hz. Each can be adjusted up to +/-12dB.

Tone Control allows the user to adjust the Bass and Treble levels, up to +/-12dB.

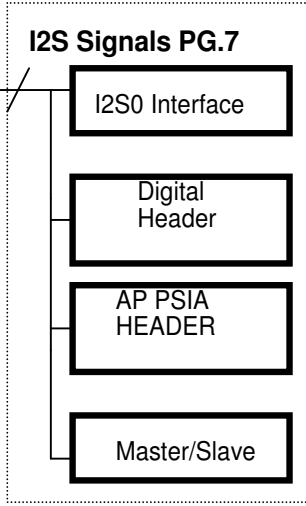
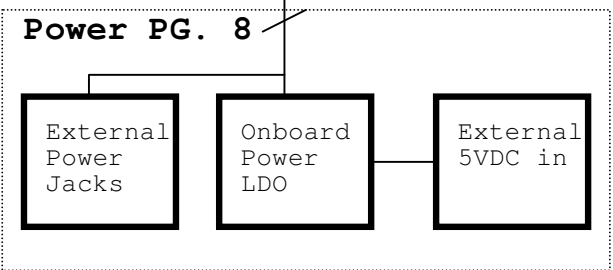
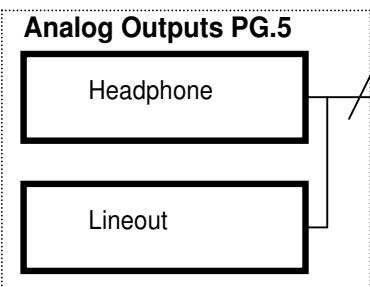
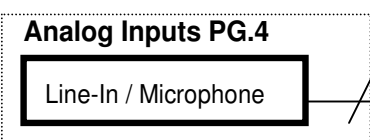
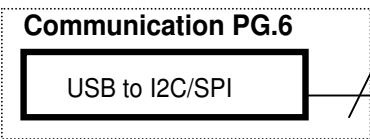
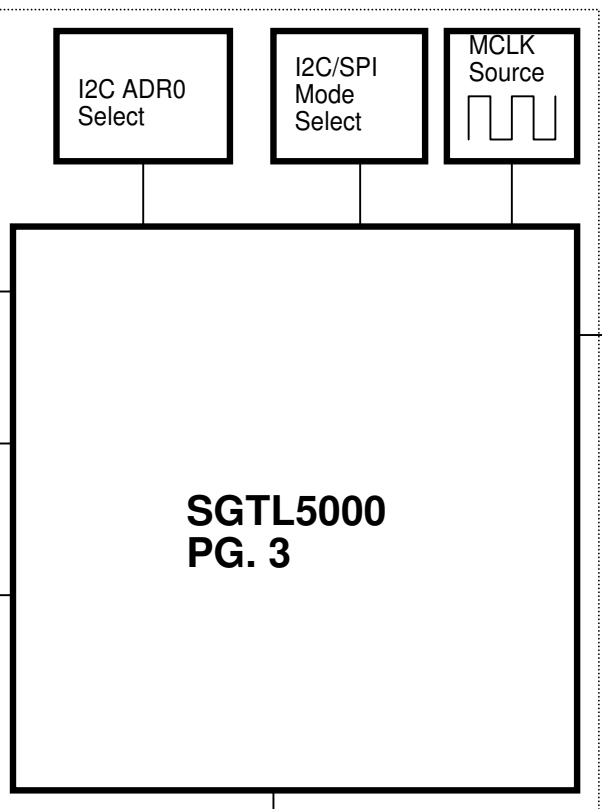
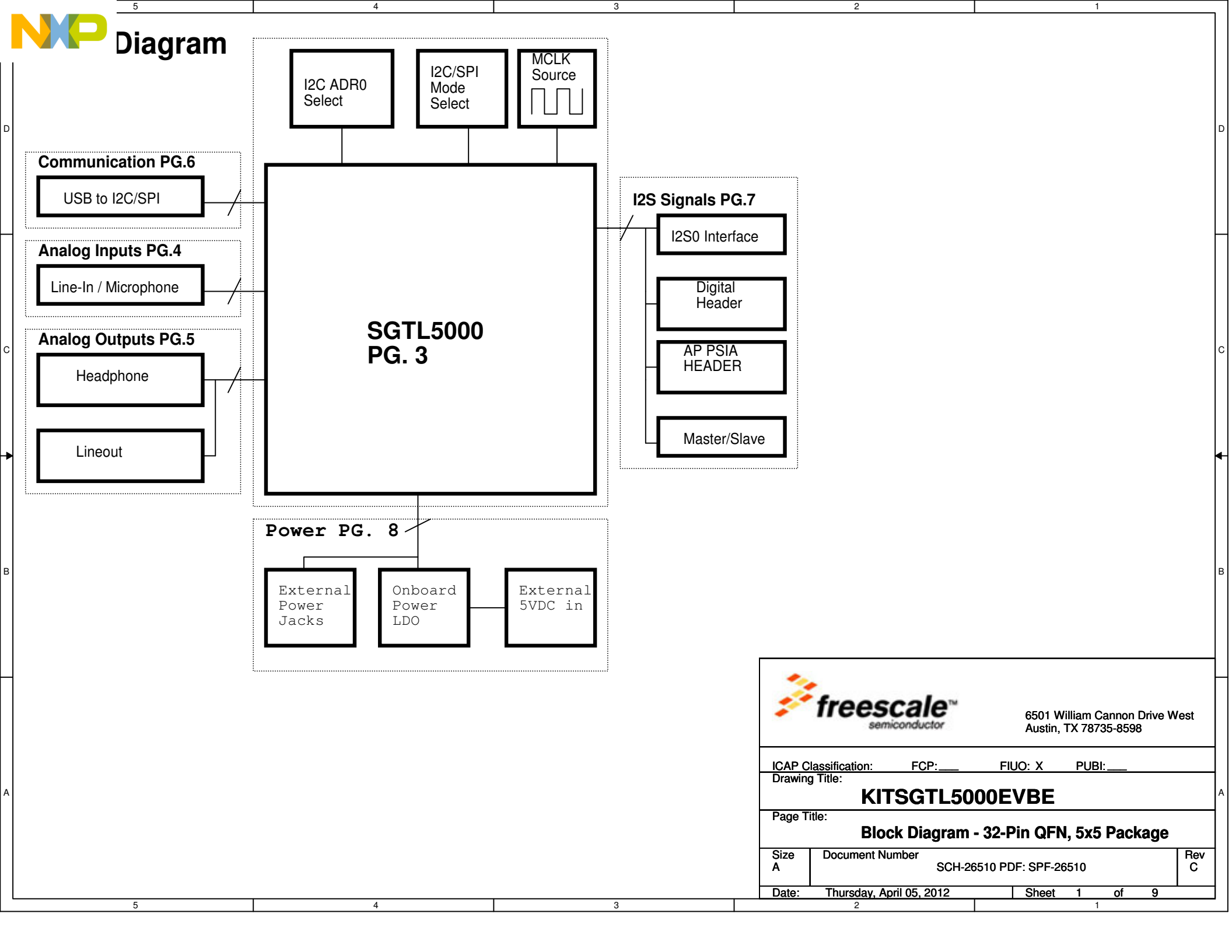
5.6.5. AVC


The Automatic Volume Control (AVC) helps prevent clipping or speaker damage by allowing the user to set a threshold from which SGTL5000 will attenuate or gain the signal to reach the specified value. Attack and decay rates are fully programmable.

5.7. Direct Register Access



- From the Direct Register Access tab, users can read and write directly to registers without the use of the GUI.
- The Register Write Monitor shows all read and written-to registers from the current session. Scripts can be saved and run from here as well.
- Support for SPI register writes is on this tab.




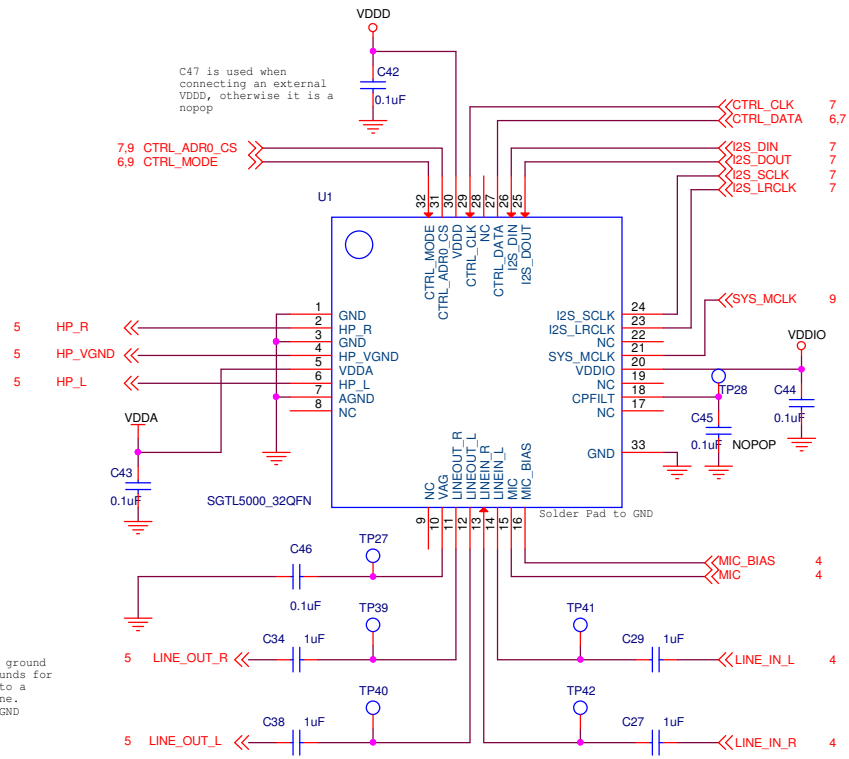
		6501 William Cannon Drive West Austin, TX 78735-8598		
ICAP Classification:		FCP: ___	FIUO: X	PUBL: ___
Drawing Title:				
KITSGTL5000EVBE				
Page Title:				
Block Diagram - 32-Pin QFN, 5x5 Package				
Size A	Document Number		Rev C	
	SCH-26510 PDF: SPF-26510			
Date:	Thursday, April 05, 2012	Sheet	1 of 9	

1. JP1 to select SYS_MCLK
2. JP2 to select on-board MIC or external MIC_IN
3. JP3~JP5 to select between external and on-board power supply

Revision:

A) - Initial Release

		6501 William Cannon Drive West Austin, TX 78735-8598
ICAP Classification: FCP: ___ FIUO: X PUBI: ___		
Drawing Title:		
KITSGTL5000EVBE		
Page Title:		
Feature Set		
Size A	Document Number SCH-26510 PDF: SPF-26510	Rev C
Date: Thursday, April 05, 2012		Sheet 2 of 9

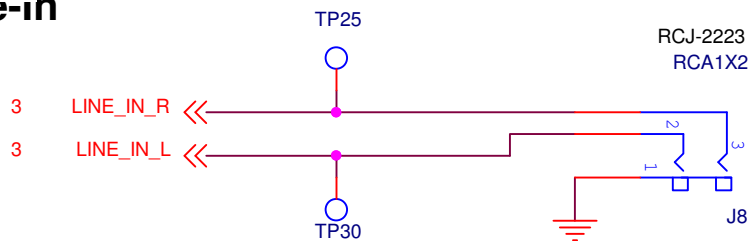


Notes:

- Star the ground pins of the chip, the ground connection for the VAG cap, and the grounds for the line-in's, line-out's, HP, and mic to a single point and then to the ground plane.
- Use short and fat traces for the HP_VGND

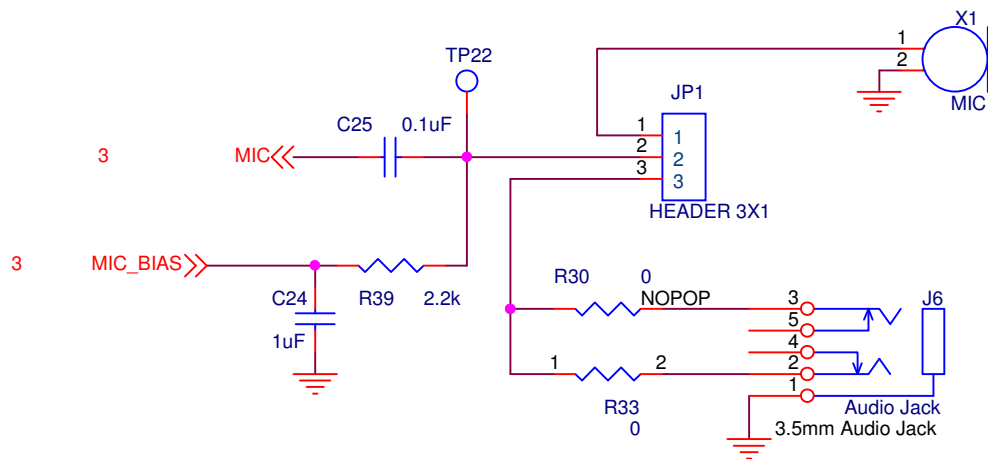
		6501 William Cannon Drive West Austin, TX 78735-8598	
		ICAP Classification: FCP: _____ FIUC: X PUBI: _____	
Drawing Title: KITSGTL5000EVBE			
Page Title: SGTL5000			
Size B	Document Number	SCH-26510 PDF: SPF-26510	Rev C
Date:	Thursday, April 05, 2012	Sheet 3 of 9	

Line-in



MIC

Microphone input with MIC_BIAS derived internally.



6501 William Cannon Drive West
Austin, TX 78735-8598

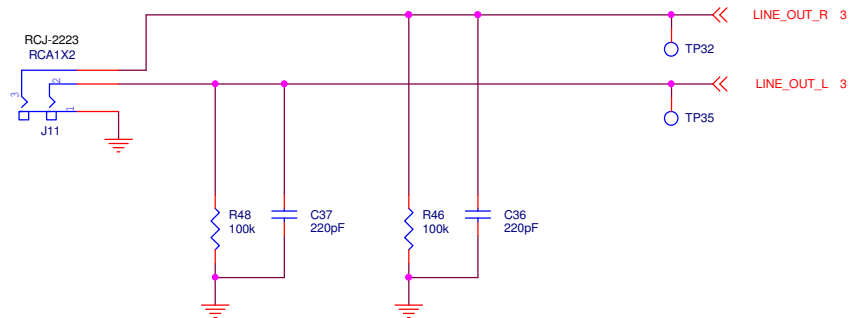
ICAP Classification: FCP: ___ FIUO: X PUBL: ___
Drawing Title:

KITSGTL5000EVBE

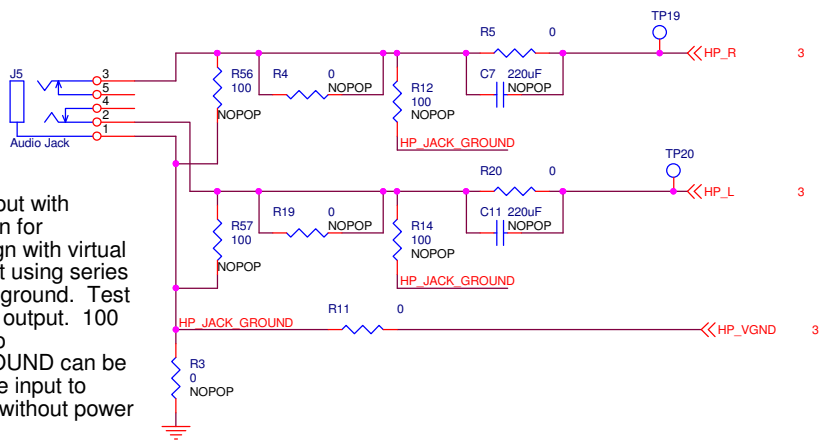
Page Title:
Analog Inputs

Size A	Document Number SCH-26510 PDF: SPF-26510	Rev C
--------	---	-------

Date: Thursday, April 05, 2012 Sheet 4 of 9



Headphone Out

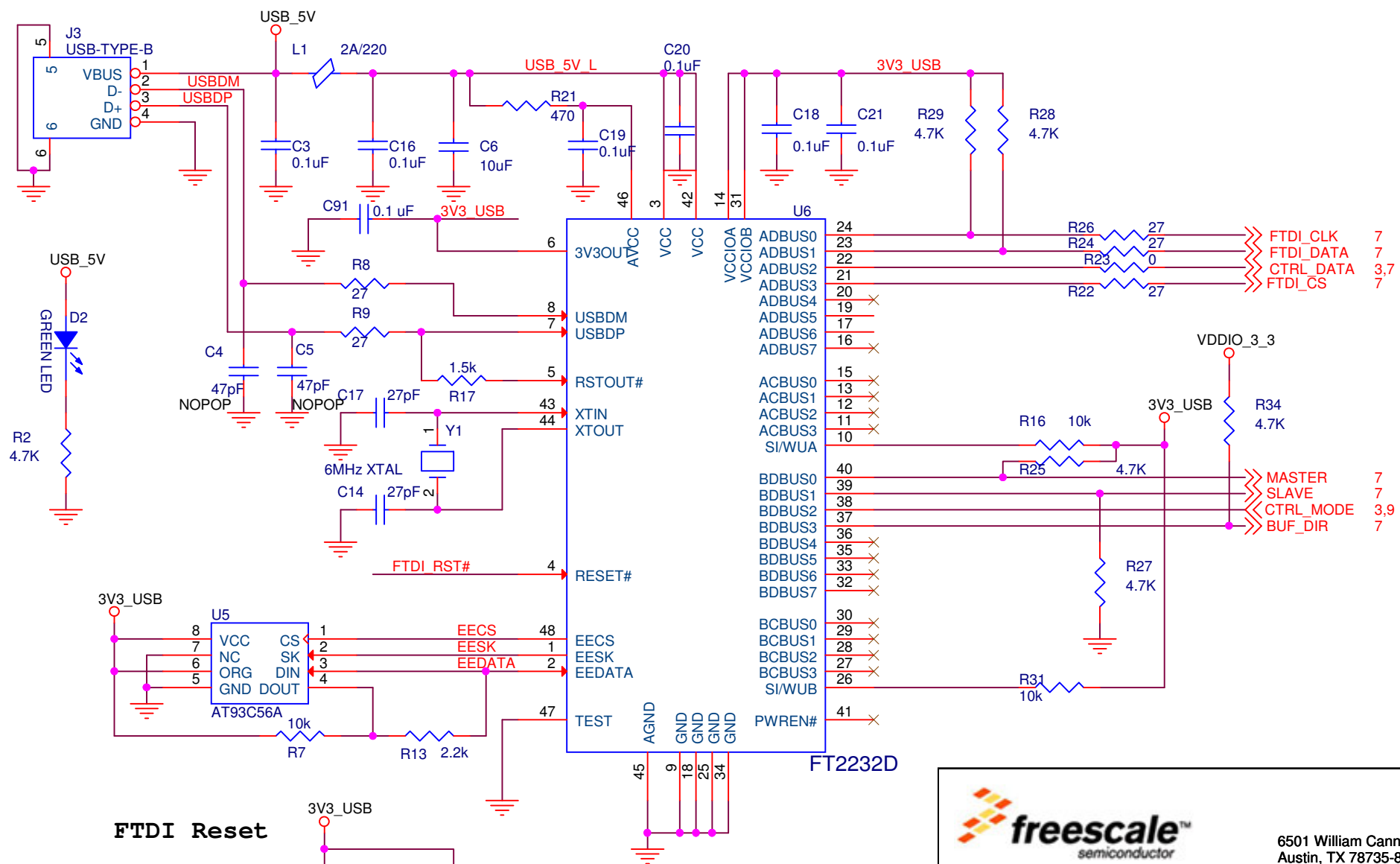


Headphone output with population option for CAPLESS design with virtual ground or output using series CAP and board ground. Test filters shown on output. 100 Ohm resistors to HP_JACK_GROUND can be used to minimize input to output coupling without power applied.

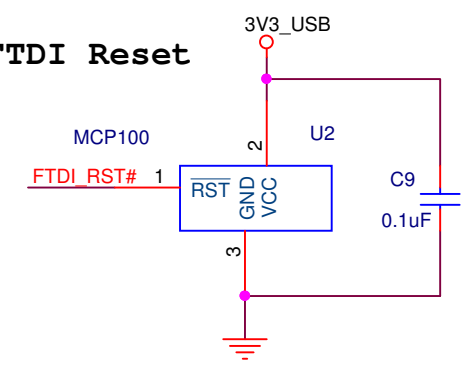
		6501 William Cannon Drive West Austin, TX 78735-8598	
		ICAP Classification:	FCP: ____ FIUC: X PUBI: ____
Drawing Title: KITSGTL5000EVBE			
Page Title: Analog Inputs			
Size B	Document Number	SCH-26510 PDF: SPF-26510	Rev C
Date:	Thursday, April 05, 2012	Sheet 5 of 9	1



ck



FTDI Reset



6501 William Cannon Drive West
Austin, TX 78735-8598

ICAP Classification: FCP: ___ FIUO: X PUBI: ___
Drawing Title:

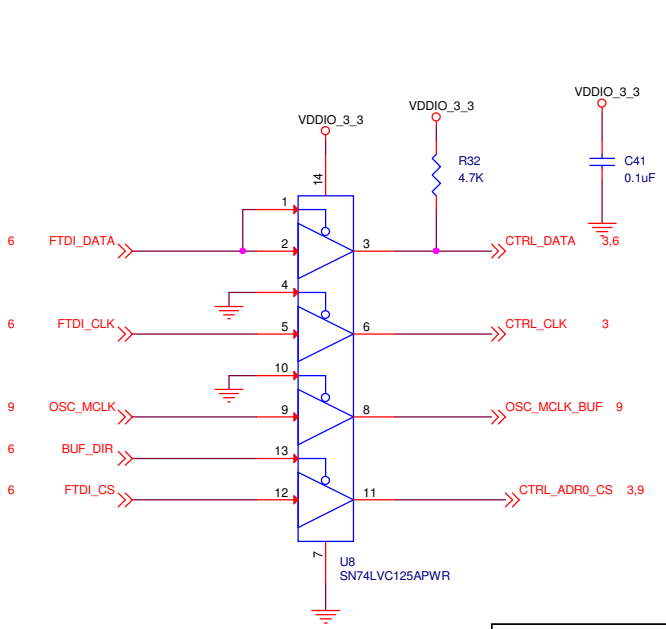
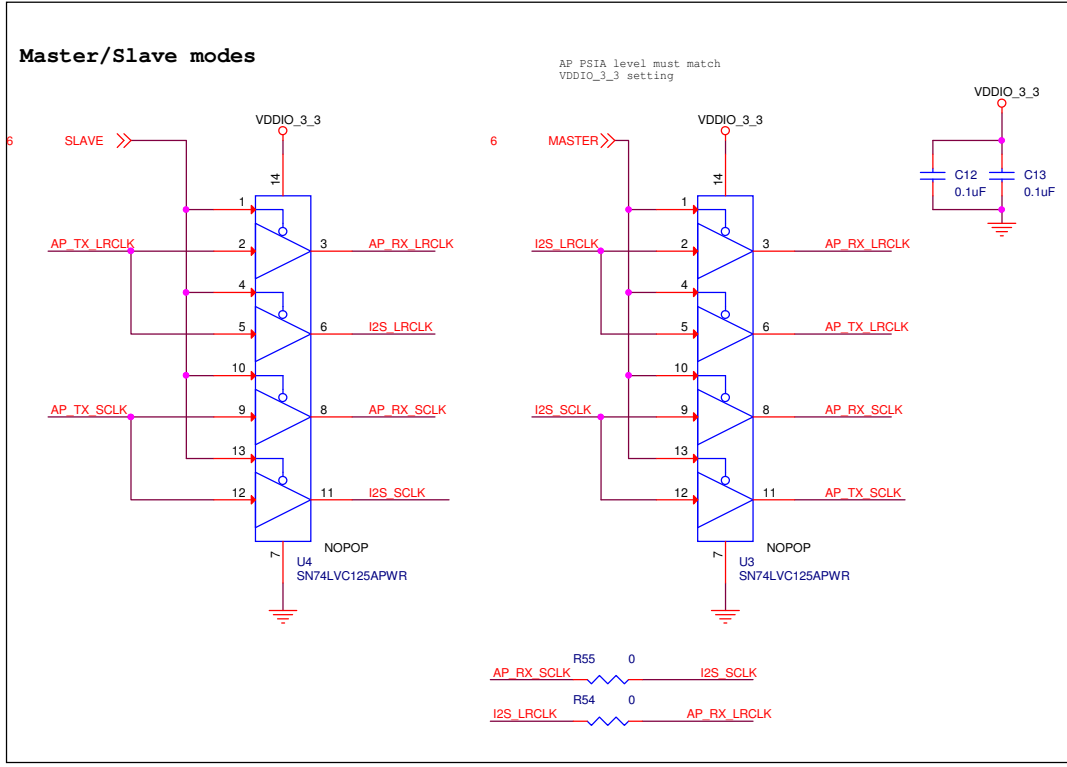
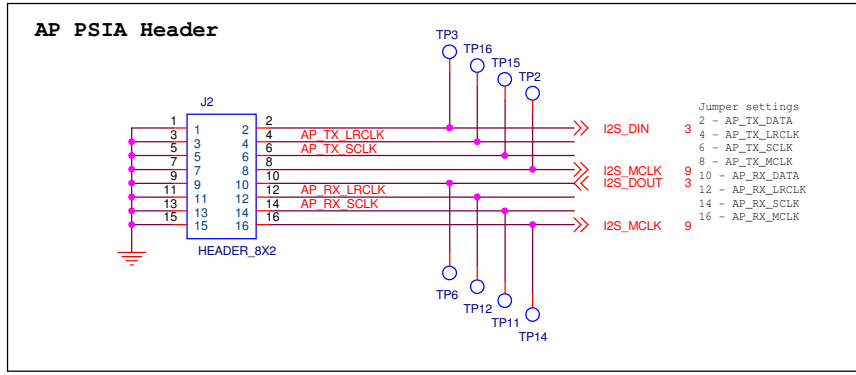
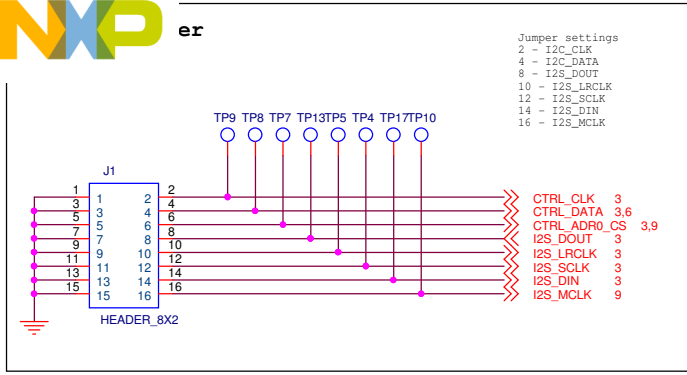
KITSGTL5000EVBE

Page Title:

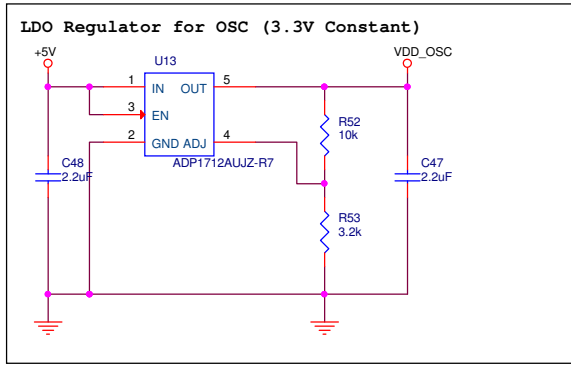
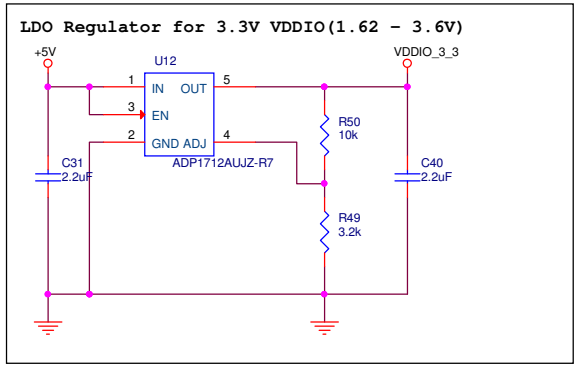
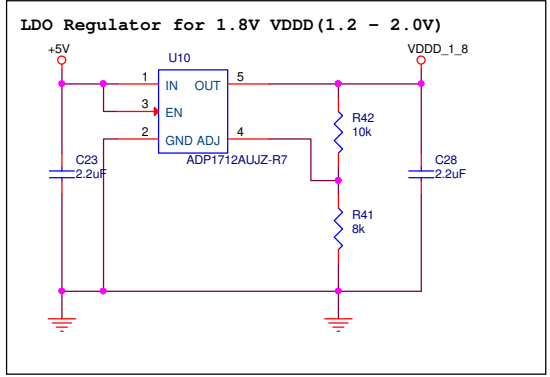
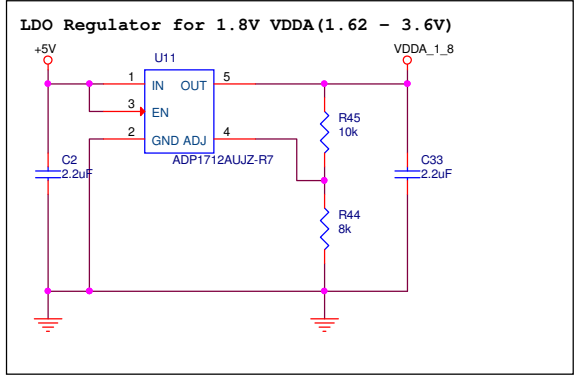
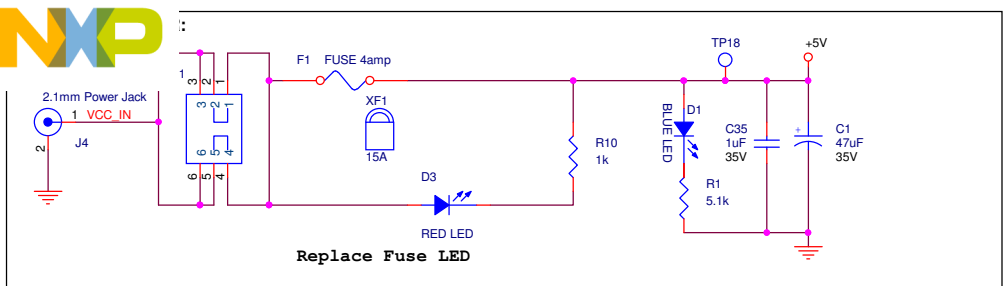
Communication

Size A	Document Number SCH-26510 PDF: SPF-26510	Rev C
--------	---	-------

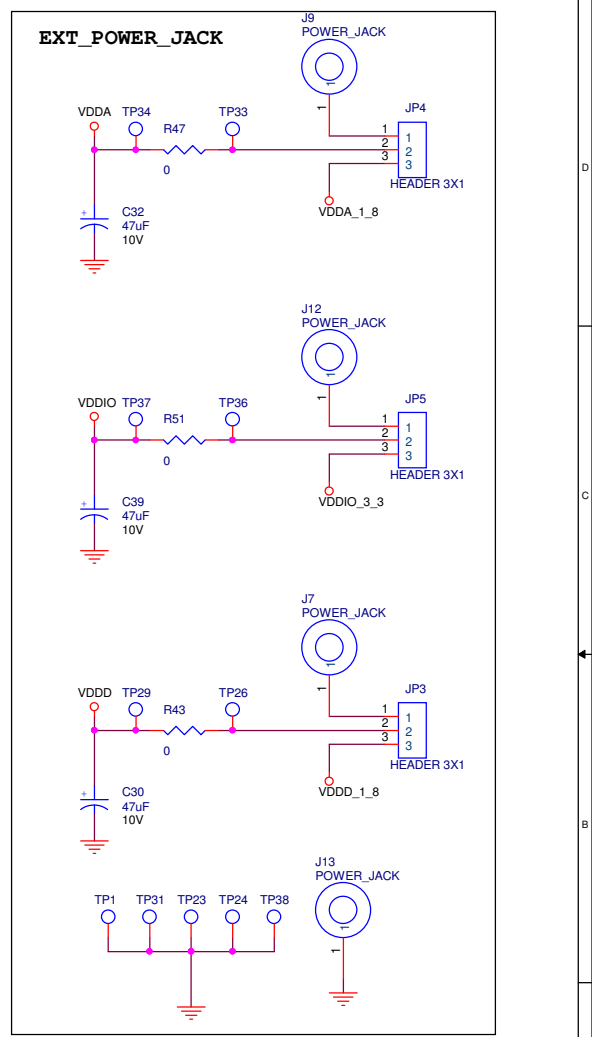
Date: Thursday, April 05, 2012 Sheet 6 of 9



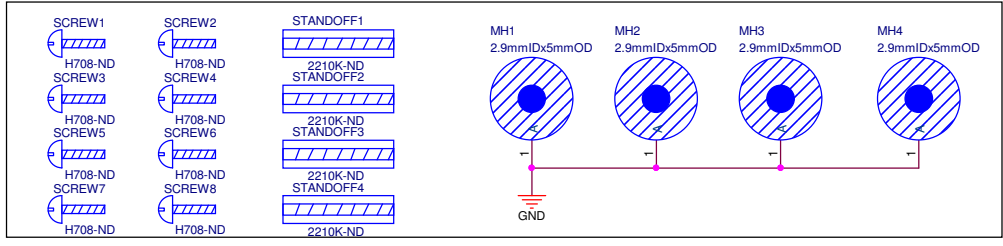
		6501 William Cannon Drive West Austin, TX 78735-8598	
		ICAP Classification: FCP: _____ FIUC: X PUBI: _____	
Drawing Title: KITSGTL5000EVBE			
Page Title: I2S Signals			
Size B	Document Number	SCH-26510 PDF: SPF-26510	Rev C
Date:	Thursday, April 05, 2012	Sheet	7 of 9



Select either External Power by tying Pins 1 and 2 together, or Internal Power by tying Pins 2 and 3 together on JP3, 4, 5.



To use internal regulator, jumper pins 1, 2, and do NOT supply power to J13



freescale™
semiconductor

6501 William Cannon Drive West
Austin, TX 78735-8598

ICAP Classification: FCP: _____ FIUC: X PUBI: _____
Drawing Title: **KITSGTL5000EVBE**

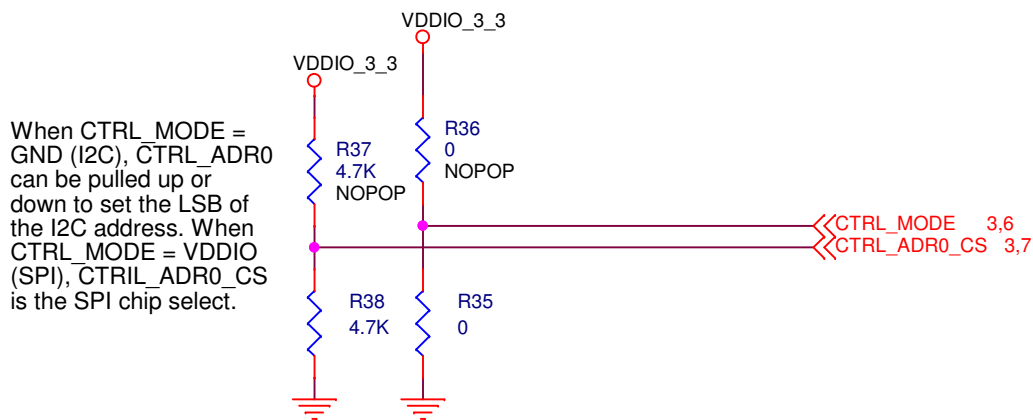
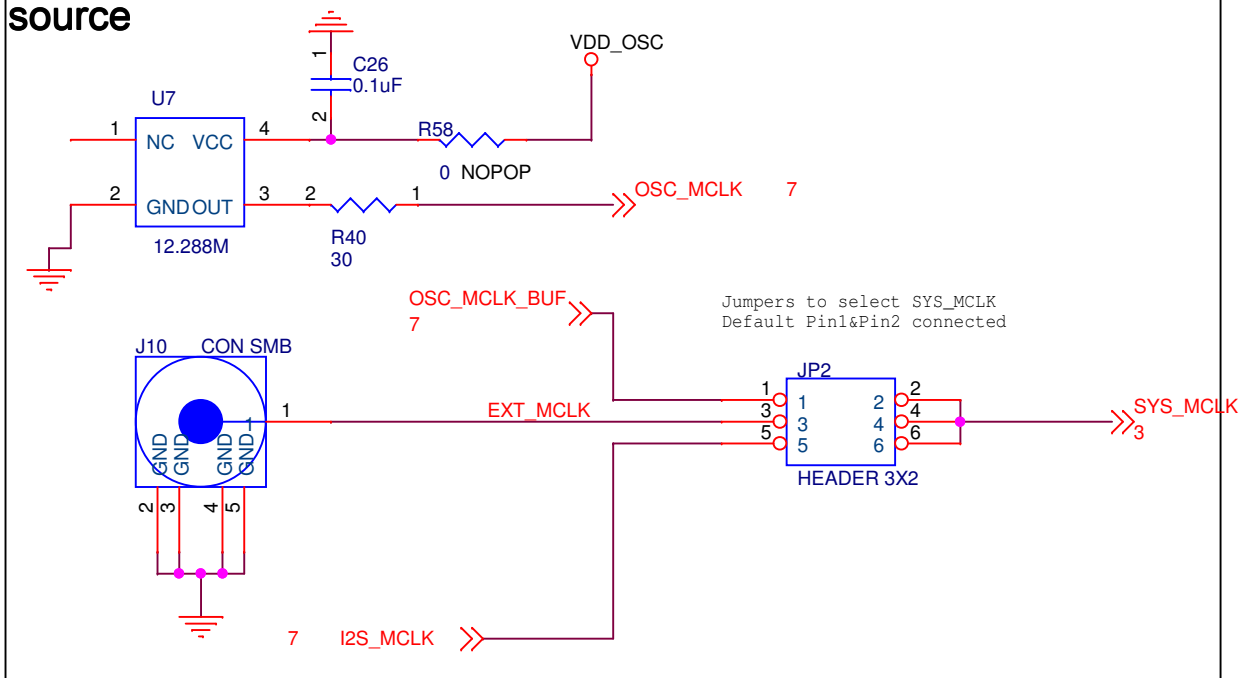
Page Title: **Power**

Size B	Document Number SCH-26510 PDF: SPF-26510	Rev C
--------	--	-------

Date: Thursday, April 05, 2012 Sheet 8 of 9



MCLK source



6501 William Cannon Drive West
Austin, TX 78735-8598

ICAP Classification: FCP: ___ FIUO: X PUBL: ___
Drawing Title:

KITSGTL5000EVBE

Page Title:
Clocks, Addressing

Size A	Document Number SCH-26510 PDF: SPF-26510	Rev C
--------	---	-------

Date: Thursday, April 05, 2012 Sheet 9 of 9